



**MAGNI**  
TELESCOPIC HANDLERS

**HTH**

# MAGNI: EXPERIENCE, RELIABILITY and VERSATILITY

MAGNI's expertise has been applauded as the industry leader for the development of a specific range of heavy-duty machines: the HTH RANGE.

The technical features of all HTH models have been specifically designed to make these machines the best choice in quarries, mining, oil & gas plants and also the heavy lift industry, thanks to their lifting capacity from 10 to 45 ton.

In addition, a specific range of attachments have been developed, giving the opportunity to the customers to choose the best solution for their needs.



from **10 to 50 ton**



MAX. LIFTING  
CAPACITY

from **10 to 14 m**



MAX. LIFTING  
HEIGHT

from **2,6 ton (5 m)**  
to **13 ton (7,9 m)**



CAPACITY AT  
MAX REACH

from **370 mm**  
to **620 mm**



GROUND  
CLEARANCE







HTH 35.12

HTH 50.14





# CABIN



## PATENTED DESIGN & FULL-VISIBILITY CAB

The innovative design of the MAGNI cab has been developed to grant maximum comfort and safety for the operator. It is, in fact, certified FOPS/ROPS and is equipped with a protection grid on the top to always ensure safety.

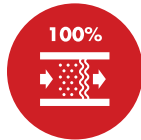
The cabin has full-visibility: the wide windshield from the bottom to the top allows the operator to look at the load even when it is suspended above his head or when the boom is completely lowered. The seat tilts back 15° to optimize operator visibility when delivering materials.

The cabin is also fully enclosed and airtight, pressurised and provided with 100% inlet air filtration. Heating and air conditioning are part of the standard equipment for all models.

The cabin is equipped with a touch screen display for the control of the entire machine. With a movable steering column, which allows the operator to get in and out very easily and achieve a comfortable driving position.

Inside the cabin you will also find a cup holder for both hot and cold beverages.

Also installed as standard in the cabin is a USB socket for charging tablets and smartphones.



100% air filtration



Pressurised cab  
FOPS/ROPS



Heating  
Air conditioning



Cup holder

## MAGNI CONTROL PANEL

The display has been designed to control all the functions of the machines in the most simplistic and intuitive manner. In case an error occurs, the software communicates with the operator with written messages available in 8 different languages.

All the information of the machines is efficiently organized on the display and can be selected with the touch of a finger.

## INTEGRATED DIAGNOSTICS

A complete integrated diagnostic panel is available that, in the case of electronic and software failures, reduces after sales costs, time of machine stop and allows remote assistance via the internet.



# CONTROL PANEL



## STANDARD TOUCH SCREEN

All HTH models are equipped with a 7" touch screen display. The software installed for the management of the whole machine is optimized to collect all usage data and conveys that in 3 pages, neatly arranged. Browsing the pages is extremely easy and intuitive even for new users.



## XL TOUCH SCREEN

As an option it is possible to ask for a wider and even more powerful 10" touch screen. The Linux operating system installed on the display makes browsing through pages faster and smoother even in prolonged use.

The larger screen also allows greater readability in load diagrams and an easier selection of icons and buttons during use. In this upgraded touch screen model, a much faster and easier software update system is implemented, but the utmost intuitiveness is guaranteed in every operation.

## REMOTE CONTROL TYPES

The HTH range can be equipped with two radio remote controls. One will allow the operator to perform all the hydraulic movements of the machine. The more advanced version of the two will allow the operator to drive the machine up to a speed of 5 km/h from a distance of 100 meters. The joysticks of the radio controls are electro-proportional like those present in the cab: they consistently reproduce the same precision in the execution of the commands.





# MCTS

## MAGNI COMBI TOUCH SYSTEM

MCTS represents a totally new concept for machine management. It is easy to use both for expert operators thanks to its intuitive style with icons. The system is divided into 3 main pages each dedicated to different functions of the machine.



### DRIVE PAGE

The upper part is reserved for the basic controls of the cab (i.e. temperature and ventilation), the central part is dedicated to the lights of the machine, while the lower part is dedicated to the various options available and to switch from the cab control to the radio control.



### LOAD CHART

MAGNI uses the "Load Moment Indicator" system, responding to all crane regulations. The display shows a dynamic load diagram that allows you to see the load center move according to the real movements that the operator performs.



### CUSTOMISATION PAGE

This screen allows the operator to set the limitations of the working height and hydraulic speed of the movements: up-down and extension-return of the arm, tilting of the forks and also all the functions of the accessories for dangerous or repetitive maneuvers.

# KEY CHARACTERISTICS



BEST LIFTING  
PERFORMANCE



MAX. LIFTING  
CAPACITY  
from **10** to **50** ton



MAX. LIFTING  
HEIGHT  
from **10** to **14** m



CAPACITY AT  
MAX REACH

HTH 10.10	2,6	ton	5	m
HTH 16.10	4,2	ton	5	m
HTH 20.10	5,5	ton	5	m
HTH 24.11	7,2	ton	5,5	m
HTH 27.11	7,5	ton	6,5	m
HTH 30.12	8	ton	6,9	m
HTH 35.12	9	ton	6,9	m
HTH 50.14	13	ton	7,9	m



## GROUND CLEARANCE ON TYRES



HTH 10.10	370 mm
HTH 16.10	440 mm
HTH 20.10	400 mm
HTH 24.11	430 mm

HTH 27.11	530 mm
HTH 30.12	550 mm
HTH 35.12	550 mm
HTH 50.14	620 mm

# PERFORMANCE ON TYRES

## LEVELLING SYSTEM ON TYRES

The levelling system on the tyres is standard for all HTH models. This makes it possible to adapt to any uneven ground while working providing a safer environment to the operator.

This system is particularly useful during procedures of heavy material handling with forks and container lifting.

FROM +/-5° TO +/-10°



0°



FROM +/-5° TO +/-10°



## OFF-ROAD

This feature is particularly important when working operations have to take place on unstable ground conditions, such as in mines and quarries, or when you have heavy loads to increase adherence on the ground. In fact, the

4WD grants optimal traction on difficult terrains (e.g. sand, mud or pebbles). Also, the good ground clearance makes this model very suitable and safe for these uneven grounds.



## GRADEABILITY

The safety is granted also while working on slopes or very steep terrains. All HTH are proved to also work easily on gradeability from 34° to 58°.

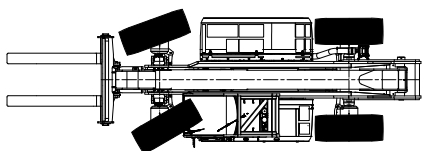
## DRAWBAR PULL

From 88 KN to 390 KN.

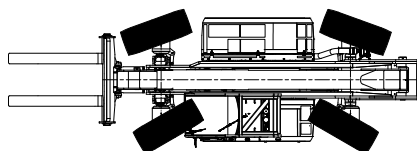
## 3 TYPES OF STEERING

The possibility to choose the best movement according to the working space is a fundamental feature. On all HTH machines it is possible to choose the steering type that best suits your tasks:

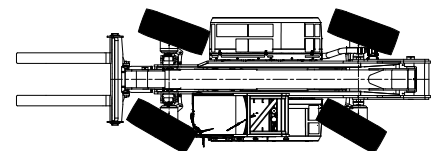
- **Frontal:** best choice for road circulation or even grounds
- **Concentric:** is a short steering mode that has the best turning radius possible to operate in very tight spaces.
- **Crab:** offers the possibility to approach from the side



Frontal



Concentric



Crab







# TECHNICAL SPECIFICATIONS

---

## TRANSMISSION

On each model, the transmission is different and has been chosen to provide the best performance while working.

The **HTH 30.12** and **HTH 35.12** are equipped with a transmission that is a heavy duty automatic shift box type power shift with 3 speeds electronically synchronized. It is a 2WD transmission with automatic engagement of 4WD in case of slippery conditions.

For **HTH 24.11** and **HTH 27.11**, the transmission is hydrostatic and electronically controlled with a central self-locking differential, to prevent slips and problem with adherence to the ground.

For **HTH 10.10**, **HTH 16.10** and **HTH 20.10** the transmission is hydrostatic and electronically controlled made of a variable displacement pump for an accurate handling of the load.



HTH 30.12 - HTH 35.12



HTH 24.11 - HTH 27.11



HTH 10.10 - HTH 16.10 -  
HTH 20.10

---

## ENGINE

All models are equipped with engines that grant the best lifting and driving performances. From Deutz 100 kW, for the small HTH 10.10, to Mercedes 260 kW, for the biggest models HTH 50.14, HTH 35.12 and HTH 30.12.

The engine compartment is easily accessible for ordinary and extraordinary maintenance.

---

## AXLES

The machines are equipped with heavy duty axles with hydraulic servo-assisted multidisc brake in oil bath, with heavy duty 4 stage epicyclic reduction.

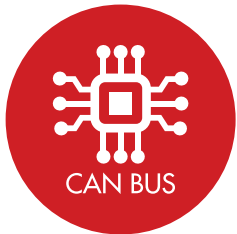






## HYDRAULIC CIRCUIT

The hydraulic circuit is Load Sensing with 350 bars of working pressure; it is composed by a 1l/s high precision pump, two electro proportional joysticks and a SIL 2 main valve. The system responds to the European regulation EN13489 regarding the electrical controls. The electronic management of the hydraulic circuit automatically selects the best engine rpm to provide the best performance. This results in a reduction in fuel consumption on long working cycles. With the Magni software it is possible to manage the flow sharing, and therefore ensuring safety and precision while performing up to 4 hydraulic movements simultaneously.



## ELECTRICAL CIRCUIT

The electric circuit is **IP67** and is protected from infiltrations of water and dust. The circuit is **24V** and CAN BUS: this means that the system can easily collect all details of electric and electronic components. All the data is then organized on the screen in the cab and can be viewed neatly by the operator. CAN BUS technology requires 1/3 less cables, this reduces the risk of failure on the circuit and increases the reliability of the machine.



# TECHNICAL SPECIFICATIONS

---

## BOOM

Made of high resistance steel, the boom is extremely durable and rigid, but at the same time is very light, increasing the load capacity and avoiding the deflection on the outreach. The hydraulic hoses are completely inserted inside the boom, to protect them from any breakdown due to accidental collision.

The 3-block-hoses, 3 + 3, prevents friction between them, contributing to a drastic reduction of damages. The sliding guides are fixed on steel blocks, which are secured to the arm to avoid breaks in case of excessive rubbing.

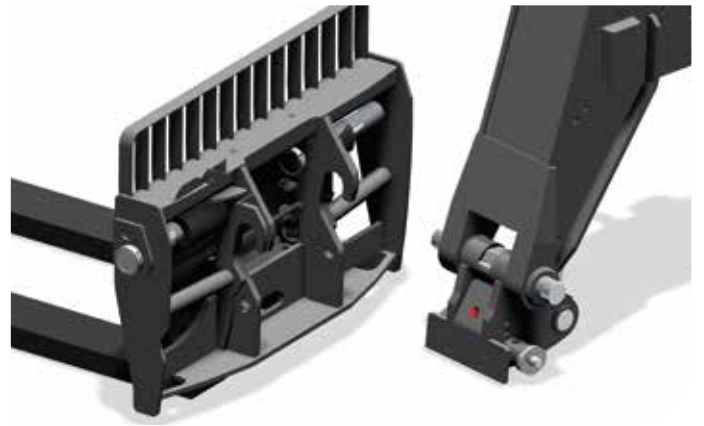






## AUTOMATIC ATTACHMENT RECOGNITION

The automatic attachment recognition system - R.F.ID - is available on every model of the HTH range. The attachment, once mounted on the machine, is automatically recognized by the machine and automatically shows up on the touch screen displaying the correct load diagram and prepares the load limitation system. Thanks to its low weight, this improves lifting performance. This system on HTH models is much safer and prevents the risk of choosing a wrong attachment.



# TECHNICAL SPECIFICATIONS

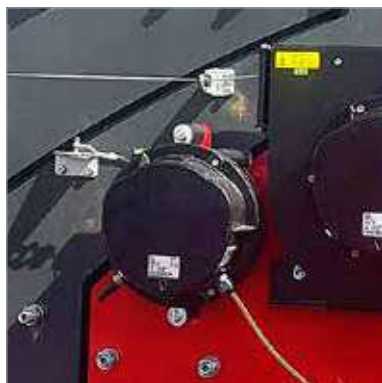
## LOAD MOMENT INDICATOR (LMI)

All the MAGNI telehandlers are equipped with a load limiting system that loads automatically the diagrams for each attachment and continuously analyzes the position of the load in space in each operation. The touch screen display in the cab dynamically shows the position of the load according to the operator movements.

If an overload occurs, the system interrupts the movement immediately, allowing only the retraction and lowering of the boom.



A



Potentiometer for angle and length of boom detection with redundant safety.

B



Detection of load weight through 4 pressure transducers: 2 placed on lifting cylinders and 2 on compensation cylinder.

C



Flashing beacon.

D



Dynamic representation of all the collected data on the touch screen for the operator.







	HTH 10.10	HTH 16.10	HTH 20.10	HTH 24.11
LIFT CAPACITY	10.000 Kg at 600 mm load center	16.000 Kg at 600 mm load center	19.999 Kg at 600 mm load center	24.000 Kg at 900 mm load center
MAXIMUM LIFTING HEIGHT	9,52 m	9,70 m	9,80 m	10,55 m
MAXIMUM REACH	5,05 m	5,10 m	5,10 m	5,65 m
CAB	FOPS-ROPS tested hermetic cab with protectors	FOPS-ROPS tested hermetic cab with protectors	FOPS-ROPS tested hermetic cab with protectors	FOPS-ROPS tested hermetic cab with protectors
	Front, rear and upper wiper	Front, rear and upper wiper	Front, rear and upper wiper	Front, rear and upper wiper
	Headlights for road circulation, flashing beacon	Headlights for road circulation, flashing beacon	Headlights for road circulation, flashing beacon	Headlights for road circulation, flashing beacon
	Rear view mirrors	Rear view mirrors	Rear view mirrors	Rear view mirrors
CONTROLS	Heating - Air conditioning	Heating - Air conditioning	Heating - Air conditioning	Heating - Air conditioning
	Multi-function electro proportional joystick	Multi-function electro proportional joystick	Multi-function electro proportional joystick	Multi-function electro proportional joystick
BRAKE SYSTEM	Hydraulic servo-assisted multidisc brake in oil bath on both axles, with double circuit	Hydraulic servo-assisted multidisc brake in oil bath on both axles, with double circuit	Hydraulic servo-assisted multidisc brake in oil bath on both axles, with double circuit	Hydraulic servo-assisted multidisc brake in oil bath on both axles, with double circuit
	Negative parking brake	Negative parking brake	Negative parking brake	Negative parking brake
ENGINE	Deutz TCD 3.6 L4 Stage IV	Mercedes OM 934 LA Stage IV	Mercedes OM 934 LA Stage IV	Mercedes OM 934 LA Stage IV
	Turbo intercooler	Turbo intercooler	Turbo intercooler	Turbo intercooler
	4 cylinders / 3.600 cm <sup>3</sup>	4 cylinders / 5.130 cm <sup>3</sup>	4 cylinders / 5.130 cm <sup>3</sup>	4 cylinders / 5.130 cm <sup>3</sup>
	Power 100 kW - 136 HP	Power 129kW - 175 HP	Power 129 kW - 175 HP	Power 150 kW - 204 HP
	Max rpm = 2.300	Max rpm = 2.200	Max rpm = 2.200	Max rpm = 2.200
	Max torque 500 Nm at 1.400 rpm	Max torque 750 Nm at 1.200-1.600 rpm	Max torque 750 Nm at 1.200-1.600 rpm	Max torque 800 Nm at 1.200-1.600 rpm
	Electronic injection (single pump for each injector) Diesel turbo	Electronic injection (single pump each injector) Diesel turbo	Electronic injection (single pump for each injector) Diesel turbo	Electronic injection (single pump for each injector) Diesel turbo
	Liquid cooling system	Liquid cooling system	Liquid cooling system	Liquid cooling system
AXLES	Heavy Duty with epicyclic reduction	Heavy Duty with 2-stage epicyclic reduction	Heavy Duty with 2-stage epicyclic reduction	Heavy Duty with 4-stage epicyclic reduction
	One steering cylinders each axle	One steering cylinder each axle	One steering cylinders each axle	One steering cylinders each axle
	Levelling correction front axle at + 8° on the right and + 8° on the left	Levelling correction front axle at + 8° on the right and + 8° on the left	Levelling correction front axle at + 8° on the right and + 8° on the left	Levelling correction front axle at + 5° on the right and + 5° on the left
	3 types of steering: - with front steering - with round steer - with crab steering	3 types of steering: - with front steering - with round steer - with crab steering	3 types of steering: - with front steering - with round steer - with crab steering	3 types of steering: - with front steering - with round steer - with crab steering
	Tilting rear axle	Tilting rear axle	Tilting rear axle	Tilting rear axle
PERFORMANCE	Max. travel speed: 40 km/h	Max. travel speed: 25 km/h	Max. travel speed: 25 km/h	Max. travel speed: 25 km/h
	Drawbar pull: 88 kN	Drawbar pull: 180 kN	Drawbar pull: 180 kN	Drawbar pull: 180 kN
	Gradeability: 35%	Gradeability: 34%	Gradeability: 34%	Gradeability: 34%
	Turning radius (at wheels): 4.100 mm	Turning radius (at wheels): 5.060 mm	Turning radius (end wheels): 5.729 mm	Turning radius (at wheels): 5.320 mm
WEIGHTS	Total unladen: 13.900 kg	Total unladen: 20.500 kg	Total unladen: 24.000 kg	Total unladen: 29.700 kg
	Front axle unladen (boom retracted and lowered): 6.300 kg	Front axle unladen (boom retracted and lowered): 9.000 kg	Front axle unladen (boom retracted and lowered): 8.000 kg	Front axle unladen (boom retracted and lowered): 9.200 kg
	Rear axle unladen (boom retracted and lowered): 7.600 kg	Rear axle unladen (boom retracted and lowered): 11.500 kg	Rear axle unladen (boom retracted and lowered): 16.000 kg	Rear axle unladen (boom retracted and lowered): 20.500 kg
TRANSMISSION	Rexroth hydrostatics	Rexroth hydrostatics	Rexroth hydrostatics	Rexroth hydrostatics
	Variable displacement hydrostatic pump with electronic control	Variable displacement hydrostatic pump with electronic control	Variable displacement hydrostatic pump with electronic control	Variable displacement hydrostatic pump with electronic control
	One variable displacement hydrostatic motor	One variable displacement hydrostatic motor	One variable displacement hydrostatic motor	One variable displacement hydrostatic motor
	Hydraulic gearbox with 2 speeds forward / reverse	Hydraulic gearbox with 2 speeds forward / reverse Differential hydraulic locking	Hydraulic gearbox with 2 speeds forward / reverse. Differential hydraulic locking	Hydraulic gearbox with 2 speeds forward / reverse. Differential hydraulic locking
	Load sensing piston pump	Load sensing piston pump	Load sensing piston pump	Load sensing piston pump
HYDRAULIC CIRCUIT	Circuit at 350 bar	Circuit at 350 bar	Circuit at 350 bar	Circuit at 350 bar
	Rexroth Proportional hydraulic distributor	Rexroth Proportional hydraulic distributor	Rexroth Proportional hydraulic distributor	Rexroth Proportional hydraulic distributor
	Suction and return line filters	Suction and return line filters	Suction and return line filters	Suction and return line filters
	High pressure flexible hoses	High pressure flexible hoses	High pressure flexible hoses	High pressure flexible hoses
TANKS CAPACITIES	Engine oil = 8 l	Engine oil = 20,5 l	Engine oil = 20,5 l	Engine oil = 20,5 l
	Ad Blue = 10 l	Ad Blue = 40 l	Ad Blue = 40 l	Ad Blue = 40 l
	Cooling liquid = 25l	Cooling liquid = 25l	Cooling liquid = 25 l	Cooling liquid = 25l
	Hydraulic oil tank = 210 l	Hydraulic oil tank = 210 l	Hydraulic oil tank = 210 l	Hydraulic oil tank = 210 l
	Fuel tank = 200 l	Fuel tank = 200 l	Fuel tank = 200 l	Fuel tank = 200 l
TYRES DIMENSIONS	18,00 - R22,5 ** two each axle, driving and steering	16,00 - R25 ** two each axle, driving and steering	16,00 - R25 ** two each axle, driving and steering	18,00 - R25 ** two each axle, driving and steering
SAFETY	Electronic safety system which controls the load with definition of the lifted load, radius and comparison with the diagrams stored.	Electronic safety system which controls the load with definition of the lifted load, radius and comparison with the diagrams stored.	Electronic safety system which controls the load with definition of the lifted load, radius and comparison with the diagrams stored.	Electronic safety system which controls the load with definition of the lifted load, radius and comparison with the diagrams stored.
	Block of aggravating movements of the load.	Block of aggravating movements of the load.	Block of aggravating movements of the load.	Block of aggravating movements of the load.
	Safety valves on cylinders	Safety valves on cylinders	Safety valves on cylinders	Safety valves on cylinders



HTH 27.11	HTH 30.12	HTH 35.12	HTH 50.14
27.000 Kg at 1.200 mm load center	30.000 Kg at 1.200 mm load center	35.000 Kg at 1.200 mm load center	50.000 Kg at 1.200 mm load center
10,85 m	11,72 m	11,72 m	14,00 m
6,60 m	6,86 m	6,86 m	8,00 m
FOPS-ROPS tested hermetic cab with protectors	FOPS-ROPS tested hermetic cab with protectors	FOPS-ROPS tested hermetic cab with protectors	FOPS-ROPS tested hermetic cab with protectors
Front, rear and upper wiper	Front, rear and upper wiper	Front, rear and upper wiper	Front, rear and upper wiper
Headlights for road circulation, flashing beacon	Headlights for road circulation, flashing beacon	Headlights for road circulation, flashing beacon	Headlights for road circulation, flashing beacon
Rear view mirrors	Rear view mirrors	Rear view mirrors	Rear view mirrors
Heating - Air conditioning	Heating - Air conditioning	Heating - Air conditioning	Heating - Air conditioning
Multi-function electro proportional joystick	Multi-function electro proportional joystick	Multi-function electro proportional joystick	Multi-function electro proportional joystick
Hydraulic servo-assisted multidisc brake in oil bath on both axles, with double circuit	Hydraulic servo-assisted multidisc brake in oil bath on both axles, with double circuit	Hydraulic servo-assisted multidisc brake in oil bath on both axles, with double circuit	Hydraulic servo-assisted multidisc brake in oil bath on both axles, with double circuit
Negative parking brake	Negative parking brake	Negative parking brake	Negative parking brake
Mercedes OM 934 LA Stage IV	Mercedes OM 936 LA Stage IV	Mercedes OM 936 LA Stage IV	Mercedes OM 936 LA Stage IV
Turbo intercooler	Turbo intercooler	Turbo intercooler	Turbo intercooler
4 cylinders / 5.130 cm <sup>3</sup>	6 cylinders / 7.700 cm <sup>3</sup>	6 cylinders / 7.700 cm <sup>3</sup>	6 cylinders / 7.700 cm <sup>3</sup>
Power 150 kW - 204 HP	Power 260 kW - 350 HP	Power 260 kW - 350 HP	Power 260 kW - 350 HP
Max rpm = 2.200	Max rpm = 2.200	Max rpm = 2.200	Max rpm = 2.200
Max torque 800 Nm at 1.200-1.600 rpm	Max torque 1.400 Nm at 1.200 rpm	Max torque 1.400 Nm at 1.200 rpm	Max torque 1.400 Nm at 1.200 rpm
Electronic injection (single pump for each injector) Diesel turbo	Electronic injection (single pump for each injector) Diesel turbo	Electronic injection (single pump for each injector) Diesel turbo	Electronic injection (single pump for each injector) Diesel turbo
Intercooler cooling system	Liquid cooling system	Liquid cooling system	Liquid cooling system
Heavy Duty with 2-stage epicyclic reduction	Heavy Duty with 2-stage epicyclic reduction	Heavy Duty with 2-stage epicyclic reduction	Heavy Duty with 2-stage epicyclic reduction
One steering cylinders each axle	Two steering cylinders each axle	Two steering cylinders each axle	Two steering cylinders each axle
Levelling correction front axle at + 5° on the right and + 5° on the left	Levelling correction front axle at + 5° on the right and + 5° on the left	Levelling correction front axle at + 5° on the right and + 5° on the left	Levelling correction front axle at + 5° on the right and + 5° on the left
3 types of steering: - with front steering - with round steer - with crab steering	3 types of steering: - with front steering - with round steer - with crab steering	3 types of steering: - with front steering - with round steer - with crab steering	3 types of steering: - with front steering - with round steer - with crab steering
Tilting rear axle	Tilting rear axle	Tilting rear axle	Tilting rear axle
Max. travel speed: 25 km/h	Max. travel speed: 25 km/h	Max. travel speed: 25 km/h	Max. travel speed: 20 km/h
Drawbar pull: 180 kN	Drawbar pull: 365 kN	Drawbar pull: 365 kN	Drawbar pull: 390 kN
Gradeability: 30%	Gradeability: 58%	Gradeability: 50%	Gradeability: 50%
Turning radius (at wheels): 8.520 mm	Turning radius (at wheels): 9.710 mm	Turning radius (at wheels): 9.710 mm	Turning radius (at wheels): 9.600 mm
Total unladen: 35.500 kg	Total unladen: 40.900 kg	Total unladen: 45.000 kg	Total unladen: 65.000 kg
Front axle unladen (boom retracted and lowered): 12.700 kg	Front axle unladen (boom retracted and lowered): 18.700 kg	Front axle unladen (boom retracted and lowered): 18.900 kg	Front axle unladen (boom retracted and lowered): 28.000 kg
Rear axle unladen (boom retracted and lowered): 22.800 kg	Rear axle unladen (boom retracted and lowered): 22.200 kg	Rear axle unladen (boom retracted and lowered): 26.100 kg	Rear axle unladen (boom retracted and lowered): 40.000 kg
Rexroth hydrostatics	Rexroth hydrostatics	Rexroth hydrostatics	Rexroth hydrostatics
Variable displacement hydrostatic pump with electronic control	Variable displacement hydrostatic pump with electronic control	Variable displacement hydrostatic pump with electronic control	Variable displacement hydrostatic pump with electronic control
One variable displacement hydrostatic motor	One variable displacement hydrostatic motor	One variable displacement hydrostatic motor	One variable displacement hydrostatic motor
Hydraulic gearbox with 2 speeds forward / reverse. Differential hydraulic locking	Hydraulic gearbox with 3 speeds forward / reverse. Differential hydraulic locking	Hydraulic gearbox with 3 speeds forward / reverse. Differential hydraulic locking	Hydraulic gearbox with 3 speeds forward / reverse. Differential hydraulic locking
Load sensing piston pump	Load sensing piston pump	Load sensing piston pump	Load sensing piston pump
Circuit at 350 bar	Circuit at 350 bar	Circuit at 350 bar	Circuit at 350 bar
Rexroth Proportional hydraulic distributor	Rexroth Proportional hydraulic distributor	Rexroth Proportional hydraulic distributor	Rexroth Proportional hydraulic distributor
Suction and return line filters	Suction and return line filters	Suction and return line filters	Suction and return line filters
High pressure flexible hoses	High pressure flexible hoses	High pressure flexible hoses	High pressure flexible hoses
Engine oil = 20,5 l	Engine oil = 29 l	Engine oil = 29 l	Engine oil = N.D.
Ad Blue = 40 l	Ad Blue = 40 l	Ad Blue = 40 l	Ad Blue = N.D.
Cooling liquid = 25l	Cooling liquid = 25 l	Cooling liquid = 25 l	Cooling liquid = N.D.
Hydraulic oil tank = 300 l	Hydraulic oil tank = 300 l	Hydraulic oil tank = 300 l	Hydraulic oil tank = N.D.
Fuel tank = 300 l	Fuel tank = 300 l	Fuel tank = 300 l	Fuel tank = N.D.
26,5 - R25 ** two each axle, driving and steering	29,5 - R25 ** two each axle, driving and steering 24.00-35**optional	29,5 - R25 ** two each axle, driving and steering	29,5 - R25 ** two each axle, driving and steering
Electronic safety system which controls the load with definition of the lifted load, radius and comparison with the diagrams stored.	Electronic safety system which controls the load with definition of the lifted load, radius and comparison with the diagrams stored.	Electronic safety system which controls the load with definition of the lifted load, radius and comparison with the diagrams stored.	Electronic safety system which controls the load with definition of the lifted load, radius and comparison with the diagrams stored.
Block of aggravating movements of the load.	Block of aggravating movements of the load.	Block of aggravating movements of the load.	Block of aggravating movements of the load.
Safety valves on cylinders	Safety valves on cylinders	Safety valves on cylinders	Safety valves on cylinders

# ATTACHMENTS

---

The great potential of Magni machines is completely achieved by choosing the right attachment among all the possible options given. It is in fact true, that all attachments are

interchangeable giving the possibility to have one machine that can perform more than one task.

---

**FORKS  
STANDARD**



**FORKS WITH  
POSITIONER**



**FORKS WITH POSITIONER  
AND SIDE SHIFT**



---

**WINCHES**



**HOOK**



**ELEVATED HOOK**



**BUCKET**



---

# MINING & QUARRIES SPECIAL ATTACHMENTS

---

**WHEEL HUB HANDLER**



**CYLINDER CLAMP**



**HUB WITH SUSPENSION  
CYLINDER HANDLER**



---

**CONVEYOR BELTS  
HANDLER**



**TYRES CLAMP**



**TYRES CLAMP**



**COILS HANDLER**

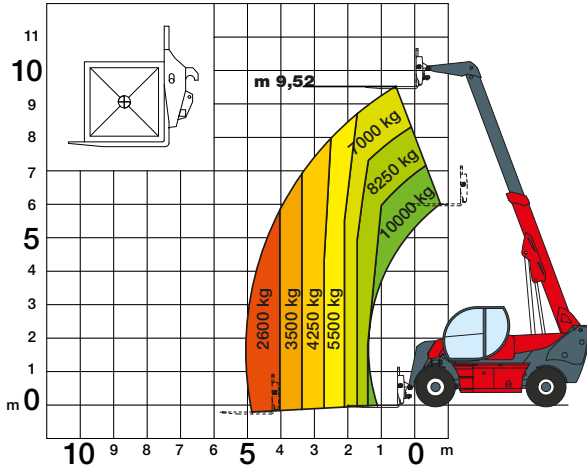






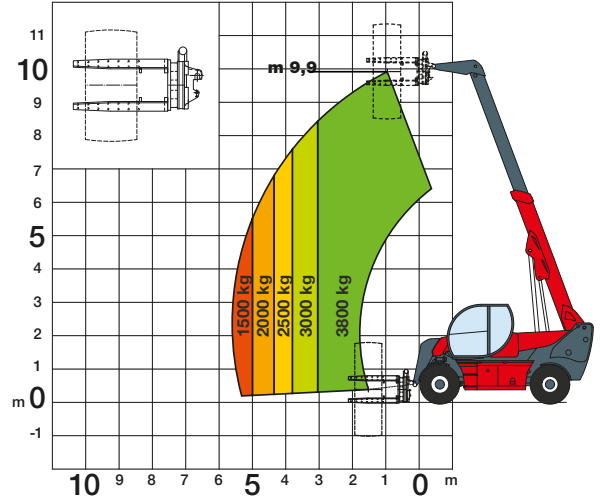
HTH 10.10

LOAD CHART WITH FORKS



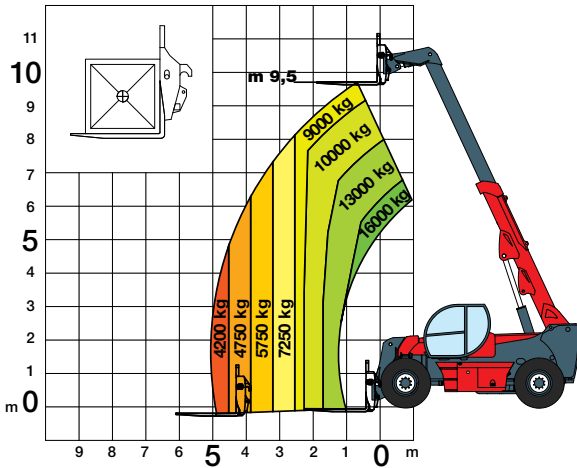
HTH 10.10

LOAD CHART WITH TYRES CLAMP  
MODEL TC3,8-49



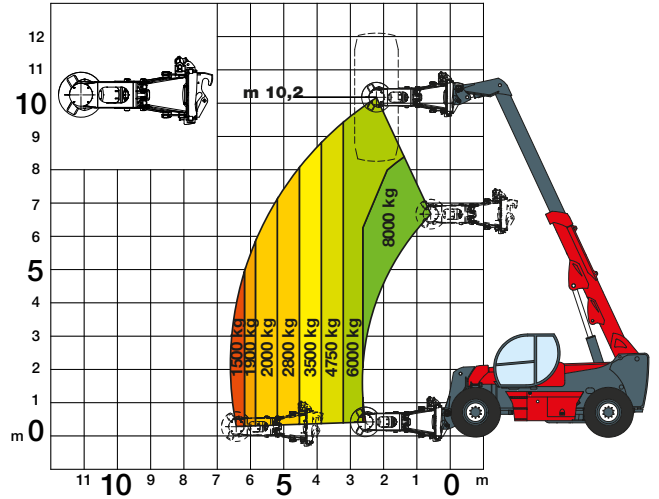
HTH 16.10

LOAD CHART WITH FORKS



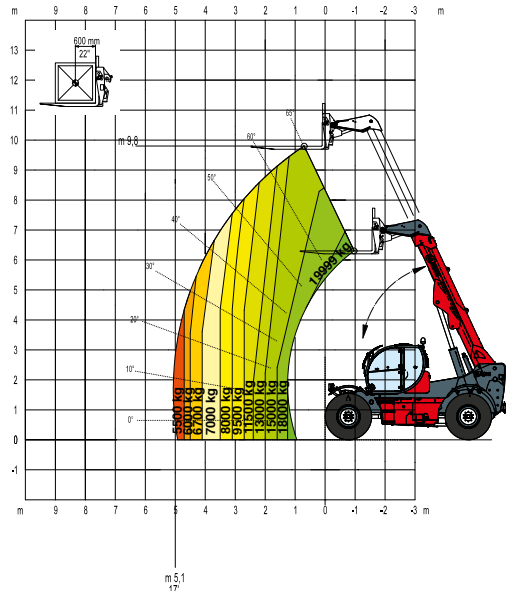
HTH 16.10

LOAD CHART WITH TYRES CLAMP  
MODEL TC 08.63



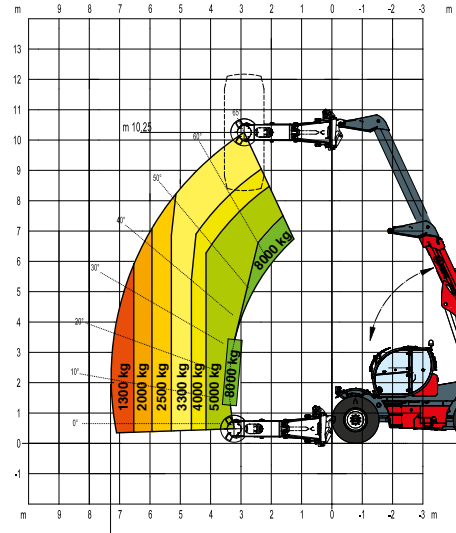
HTH 20.10

LOAD CHART WITH FORKS



HTH 20.10

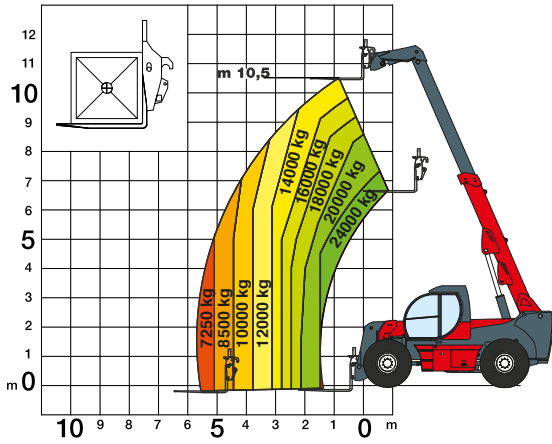
LOAD CHART WITH TYRES CLAMP  
MODEL TC 08.63





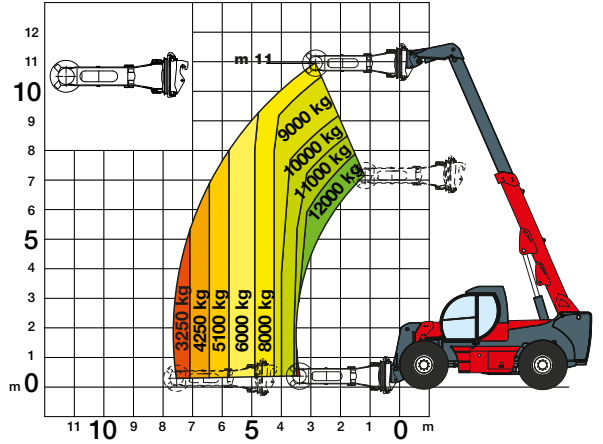
HTH 24.11

LOAD CHART WITH FORKS



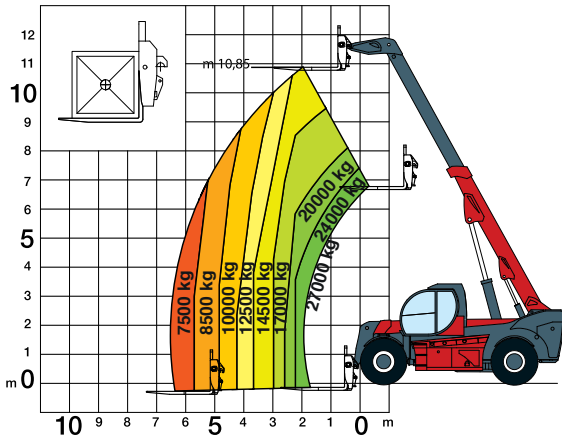
HTH 24.11

LOAD CHART WITH TYRES CLAMP MODEL TC 16.63



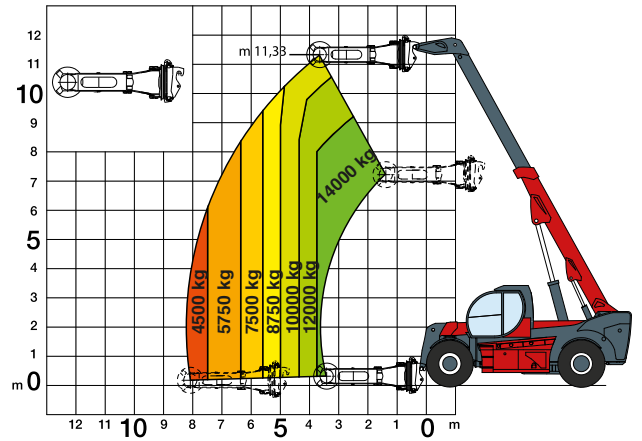
HTH 27.11

LOAD CHART WITH FORKS



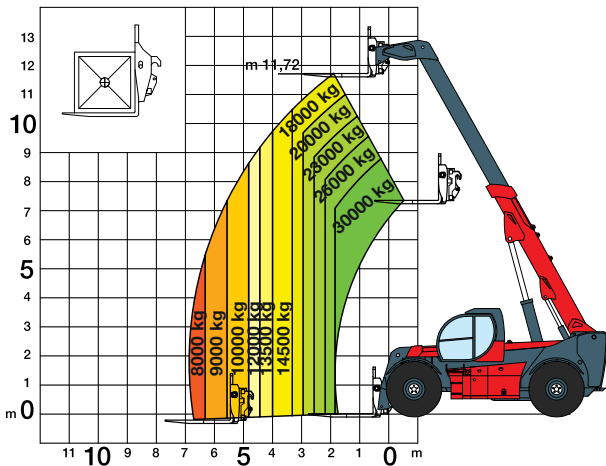
HTH 27.11

LOAD CHART WITH TYRES CLAMP MODEL TC 16.63



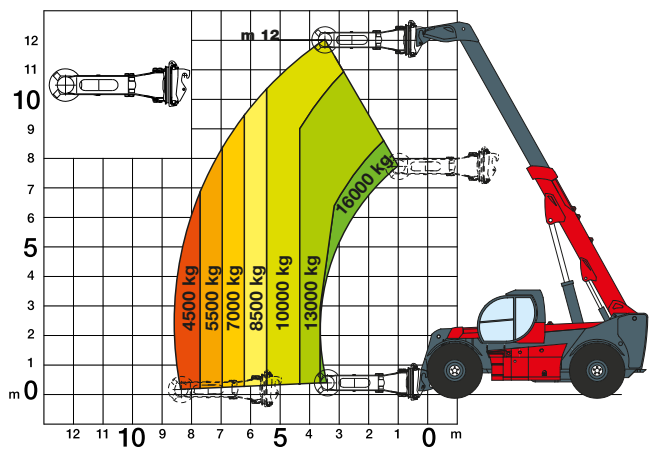
HTH 30.12

LOAD CHART WITH FORKS



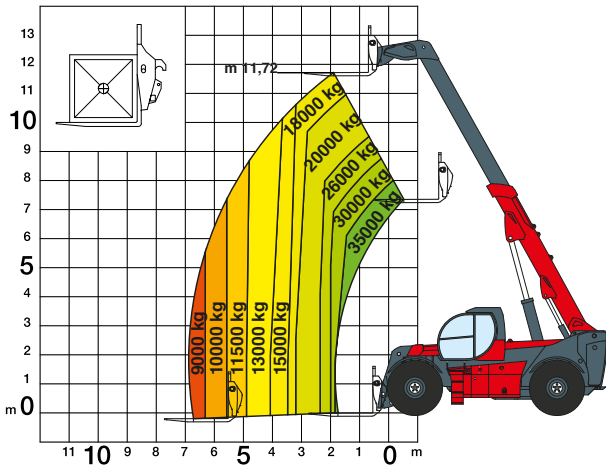
HTH 30.12

LOAD CHART WITH TYRES CLAMP MODEL TC 16.63



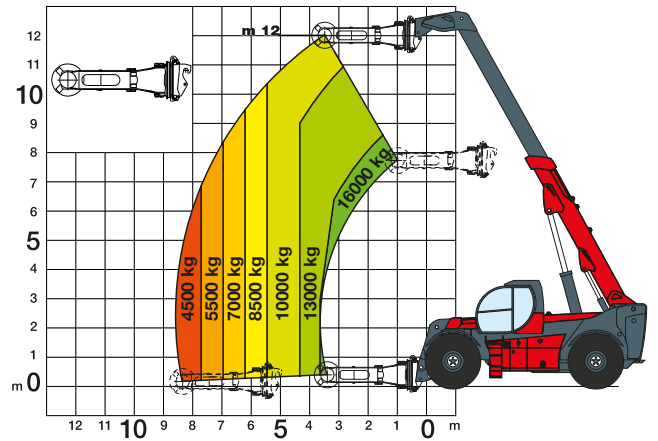
LOAD CHART WITH FORKS

HTH 35.12



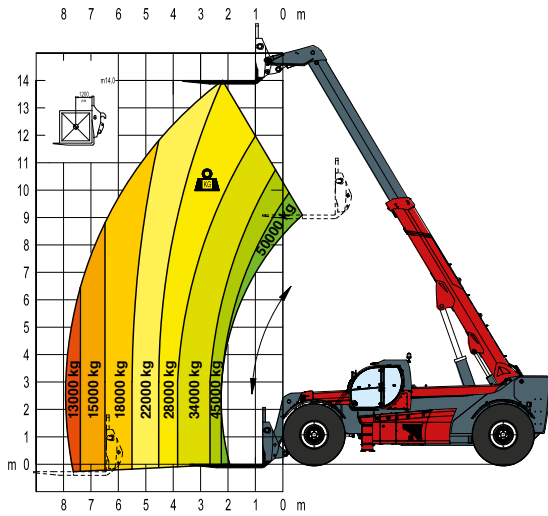
LOAD CHART WITH TYRES CLAMP MODEL TC 16.63

HTH 35.12



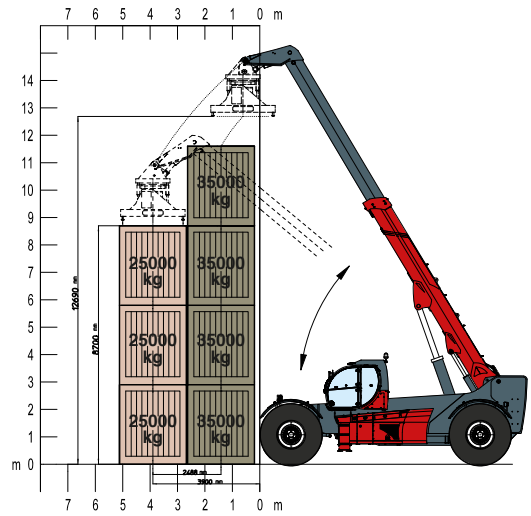
LOAD CHART WITH FORKS

HTH 50.14

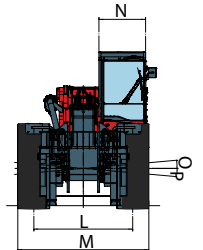
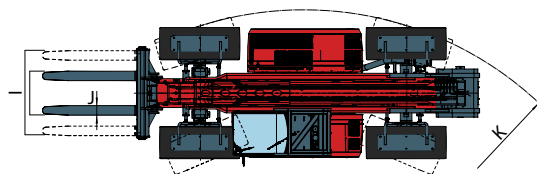
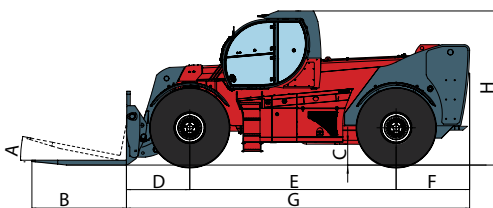


LOAD CHART WITH CONTAINER SPREADER 20"-40"

HTH 50.14



DIMENSIONS



HTH	10.10	16.10	20.10	24.11	27.11	30.12	35.12	50.14
A	14°	12°	12°	12°	11°	11°	11°	11°
B (mm)	1500	1500	1500	1800	2400	2400	2400	2400
C (mm)	370	440	400	430	530	550	550	620
D (mm)	1000	1150	856	1270	1340	1440	1440	1595
E (mm)	3300	4000	4000	4000	4500	4800	4800	6900
F (mm)	1370	1230	1275	1650	1710	1710	1710	1710
G (mm)	5660	6380	6131	6920	7550	7950	7950	10705
H (mm)	2990	3100	3153	3000	3520	3600	3600	3800
I (mm)	max 1740 min 820	max 2000 min 1160	max 2006 min 1160	max 1990 min 1250	max 2400 min 1430	max 1990 min 1360	max 2030 min 1400	on request
J (mm)	200	200	200	250	300	300	320	on request
K (mm)	4100	5060	5729	5320	8520	9710	9710	9600
L (mm)	2050	2050	2050	2400	2230	2250	2250	2560
M (mm)	2500	2570	2550	2960	2975	3000	3000	3203
N (mm)	1050	1050	1085	1050	1050	1050	1050	1050
O	8°	8°	5°	10°	5°	5°	5°	5°
P	8°	8°	5°	10°	5°	5°	5°	5°







**HEADQUARTERS**

**Magni Telescopic Handlers Srl**

Via Magellano, 22 - 41013 Castelfranco Emilia (MO)  
Tel. +39 059 8630811- Fax +39 059 8638012  
commerciale@magnith.com - [www.magnith.com](http://www.magnith.com)

**Magni Telescopic Handlers Uk Ltd**

Unit10, Holton One, Holton Heath Industrial Estate, Holton Rd.  
Poole, Dorset, BH16 6LG  
Tel. +44 1202 606326  
magniuuk@magnith.com - [www.magnith.com](http://www.magnith.com)